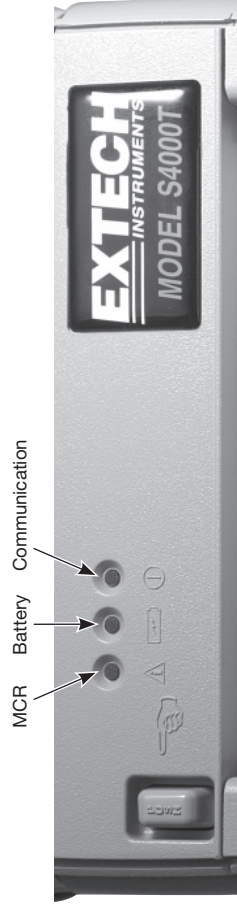


## Status Indicator LEDs

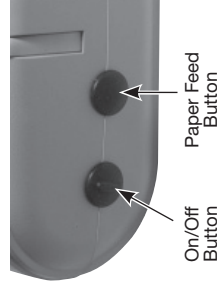
Press ON/OFF button to turn printer on. Three LED indicators located on the top of the printer indicate various printer functions. LED will indicate function as described below:

LED	Color	State	Description
Communication	Green	Flashing	RS232 serial mode selected
		Steady	Communicating with host
	Blue	Flashing	Bluetooth mode selected
		Steady	Transmitting/Receiving
Orange	Flashing	802.11b RF mode selected	
	Steady	Transmitting/Receiving	
Battery	Yellow	Steady	Battery being charged
	Red	Steady	Low battery
Magnetic Card Reader	Green	Steady	Ready for MCR swipe
	Red	Steady	Swipe error



## Performing Self Test

1. Turn off printer
2. Press and hold Paper Feed Button
3. While holding Paper Feed Button, press On/Off Button



**Communication:** All printers ship in IrDA, Bluetooth or 802.11 b/g mode (if Bluetooth or 802.11 b/g option is ordered). To switch to Serial mode, please check the User Guide for set-up instructions.

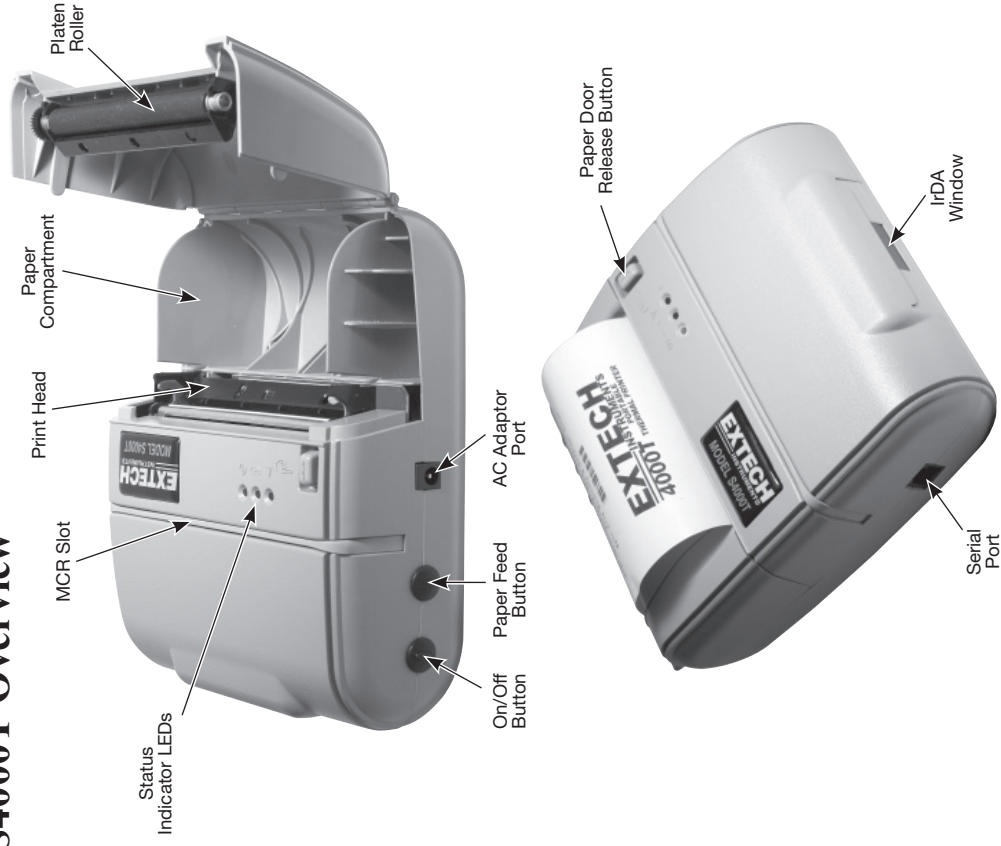
## Model S4000T Mobile Printer

# EXTTECH<sup>®</sup> INSTRUMENTS

### Quick Start Guide

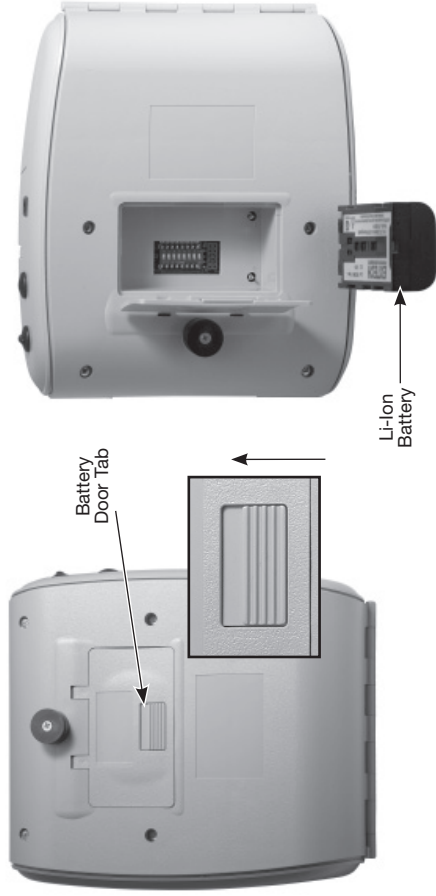
This guide provides a reference illustration of the initial steps to quickly get your Model S4000T up and running. Refer to the User's Guide for more detailed information on the operation and use of the Model S4000T. A copy of the User's Guide can be downloaded from [www.extech.com/printers](http://www.extech.com/printers).

### S4000T Overview



## Installing the Battery

1. Unlock the battery door by sliding the battery door locking tab up\*



- \*If paper door does not open easily, tap the printer against the palm of your hand near the paper door hinge.
2. Open the battery door to an angle of about 90 degrees (Do not force open)
3. Insert battery as shown above (non-contact end first and let contact end drop into place)
4. Close the battery door and lock battery door by sliding the battery door locking tab down.

## Charging the Battery

1. Plug battery charger adaptor output cable in the battery charger connector
2. Plug battery charger adaptor into the appropriate AC line voltage socket
3. LED will illuminate indicating that the battery is being charged
4. The battery will be fast charged and after 180 minutes the LED will turn off.

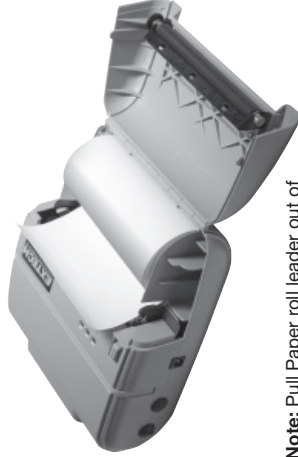


## Installing the Paper Roll

1. Press paper door release button. The door will open slightly; open rest of the way as shown.



2. Install paper roll



**Note:** Make sure some supply (2 – 3 inches) extends beyond the top of the paper supply well.



**Note:** Pull Paper roll leader out of printer. Note direction of paper travel

3. While pressing Paper Door Release button, close paper door.
4. Press paper door down and let go of the Paper Door Release button
5. Turn on the printer by pressing Power button and test the paper advance function by pressing the Paper Feed button. Verify that paper advances correctly.

## Tearing Paper

To tear paper: The printer's paper door acts as a tear bar. Pull one edge of the paper against the tear bar as indicated, then tear down and across against the tear bar to tear the paper.

**Note:** Pulling up and/or sideways without using the tear bar can cause a paper jam due to paper misalignment in the printhead mechanism.

